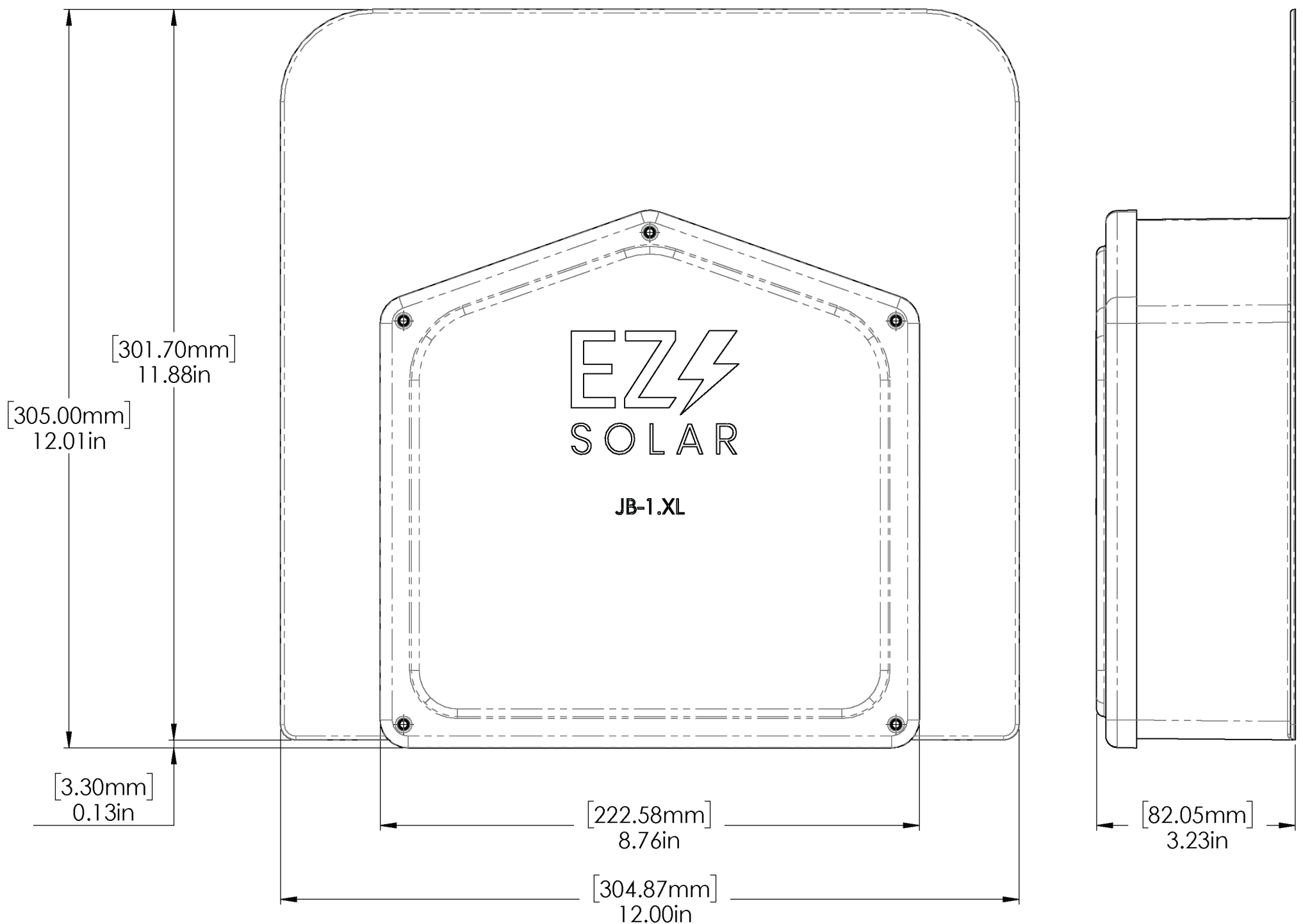


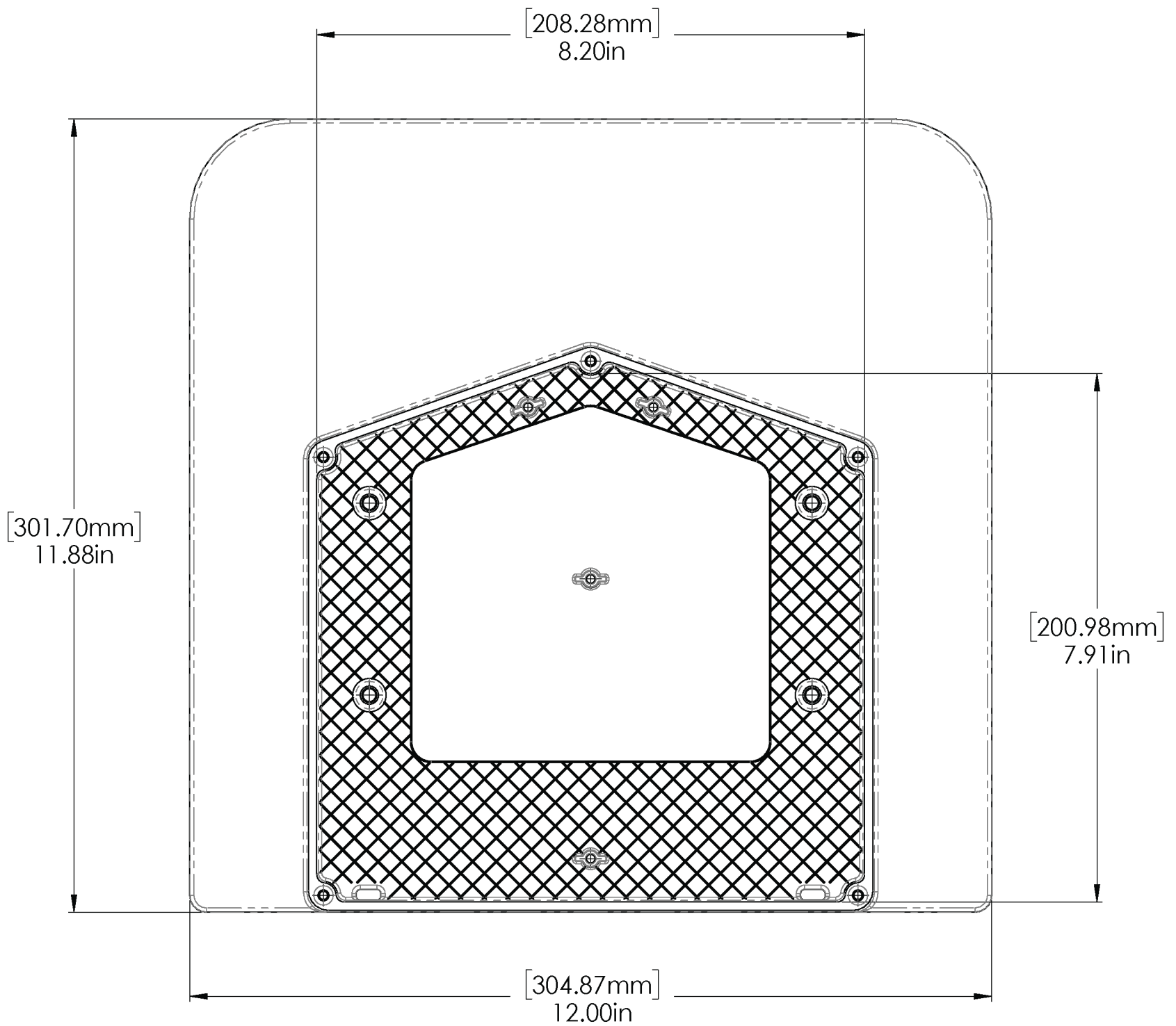
ITEM NO.	PART NUMBER	DESCRIPTION	QTY
1	JB-1.XL BODY	POLYCARBONATE WITH UV INHIBITORS	1
2	JB-1.XL LID	POLYCARBONATE WITH UV INHIBITORS	1
3	#10 X 1-1/4" PHILLIPS PAN HEAD SCREW		4
4	#8 X 3/4" PHILLIPS PAN HEAD SCREW		6

SIZE B	DWG. NO. JB-1.XL	REV
SCALE: 1:2	WEIGHT: 1.9 LBS	SHEET 1 OF 3

TORQUE SPECIFICATION:	15-20 LBS
CERTIFICATION:	UL STANDARD 1741, NEMA 3R
WEIGHT:	1.9 LBS

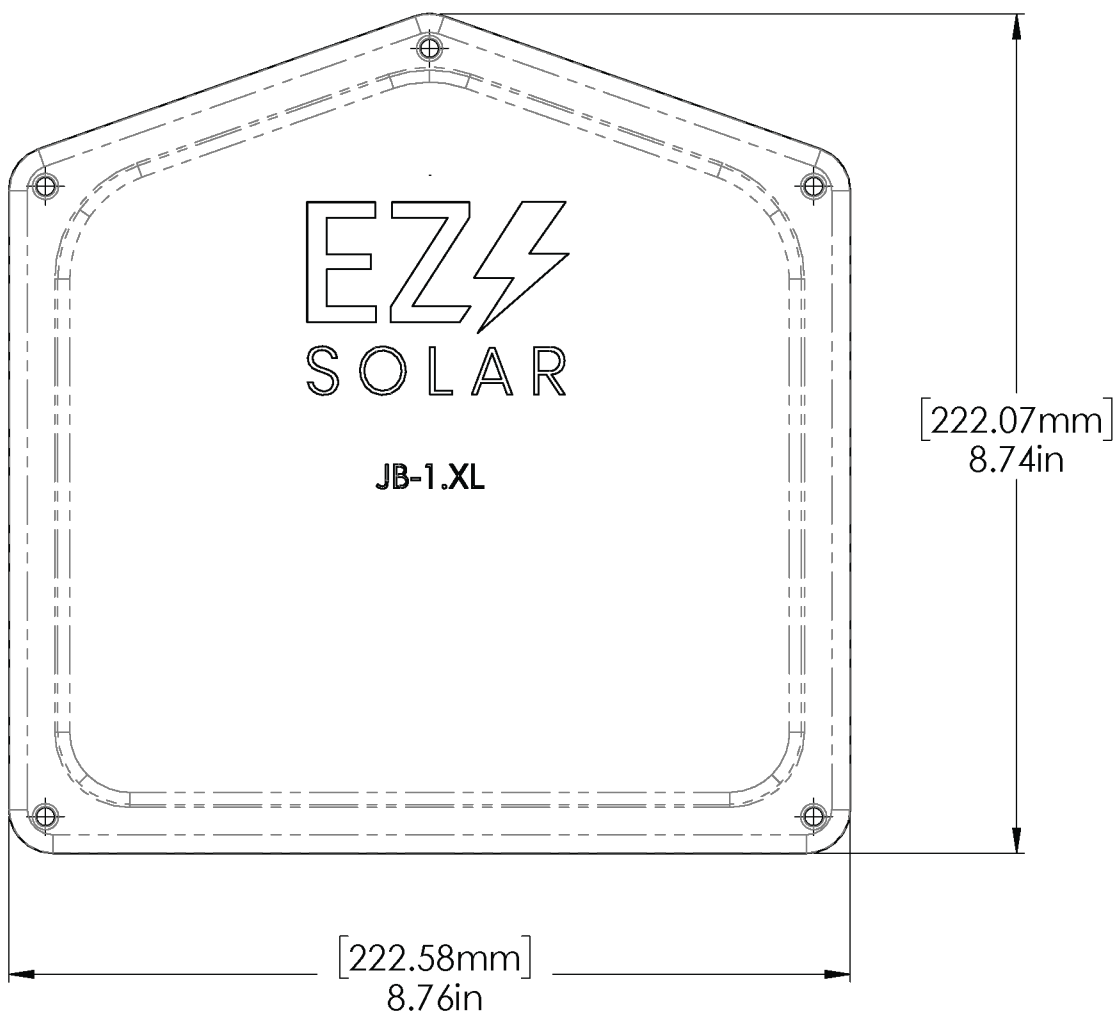


SIZE B	DWG. NO. JB-1.XL	REV
SCALE: 1:2	WEIGHT: 1.9 LBS	SHEET 2 OF 3



SIZE B	DWG. NO. JB-1.XL	REV
SCALE: 1:2	WEIGHT: 1.9 LBS	SHEET 3 OF 3

OUTSIDE



INSIDE

