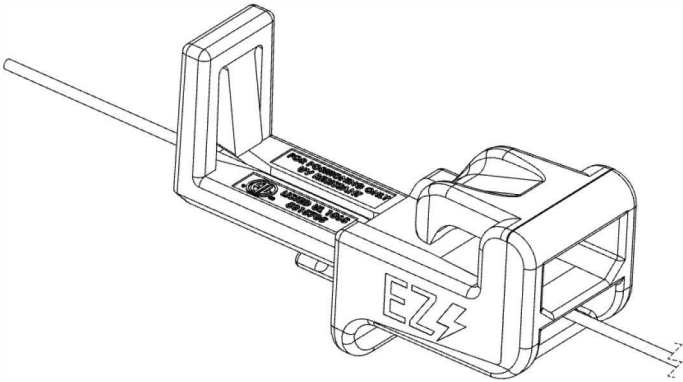




Zipline™ - 82"



Wire Positioning Device For Outdoor Use

Quantity: **50 units**

Min/Max Operating Temp: **-35°C /+75°C**

Max Span: **82"**

UV Light and Corrosion Resistant

Non-Flame Propogating

Non-Load Bearing; For Wire Positioning Only

Transport and store in original package.

Installation Instructions:

1. Push inner clip onto the frame flange.
2. Pull outer clip into inner clip until compressed against the outside of panel frame. Repeat on opposite side of panel.
3. Pull cable tight, manage excess cable with Slack Management features.
4. Wrap PV wire around Zipline cable
5. To Release:
 1. Pull release arm down
 2. Pull outer clip away from inner clip until stop.
 3. Insert release tool
 4. Push inner clip back toward outer clip while also pulling on cable



ZL82-1



Intertek

5029595

Conforms to UL STD'S 1565
Certified to CSA C22.2#18.5



8 50046 39511 6