

## Assembly

- Positioning device for wire management
- All components are UV and corrosion resistant
- UL Listed polymer used on solar panel junction boxes and connectors
- F1 Rated per UL746C, Suitable for UV Exposure and Water Immersion
- RTI of 120°C per UL 746B

## Cable

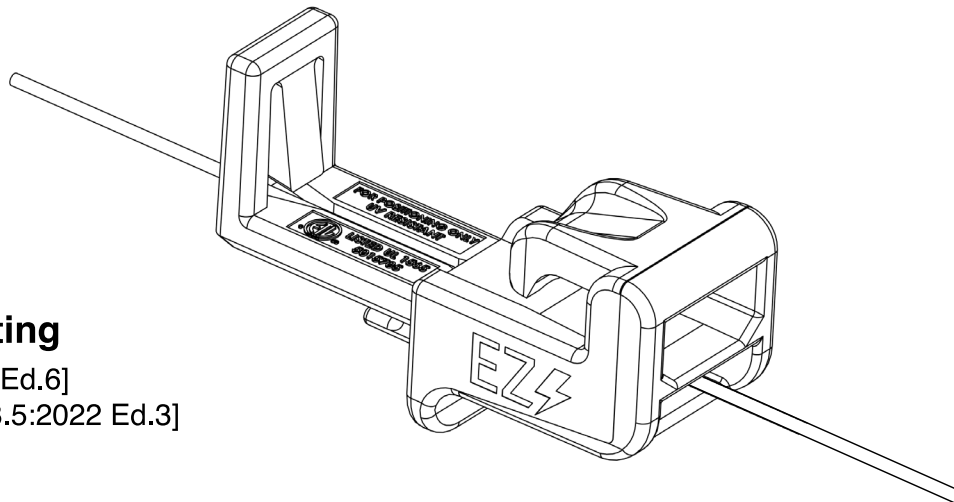
- Outer Diameter: 1.5mm
- Construction: 7x7 Stranded 300 series stainless steel
- Coating: UV Stabilized polymer

## Mounting Clips

- UL Listed polymer used on solar panel junction boxes and connectors
- F1 Rated per UL746C, Suitable for UV Exposure and Water Immersion
- RTI of 120°C per UL 746B
- 300 Series Stainless Steel Internal Components

## Frame Range

- Flange Depth: 10-20 mm
- Flange Thickness: 1.2-2.2 mm
- Overall Frame Depth: 20-35 mm



## Listings, Certifications and Testing

- Positioning Devices [UL 1565:2022 Ed.6]
- Positioning Devices [CSA C22.2#18.5:2022 Ed.3]

Tests	Standard
Installation Test	UL 1565
UV Exposure & Water Immersion	UL 746C
Flammability	ANSI/UL 94



**Intertek**  
5029595

Conforms to UL Std 1565  
Certified to CSA C22.2 #18.5