

4

3

2

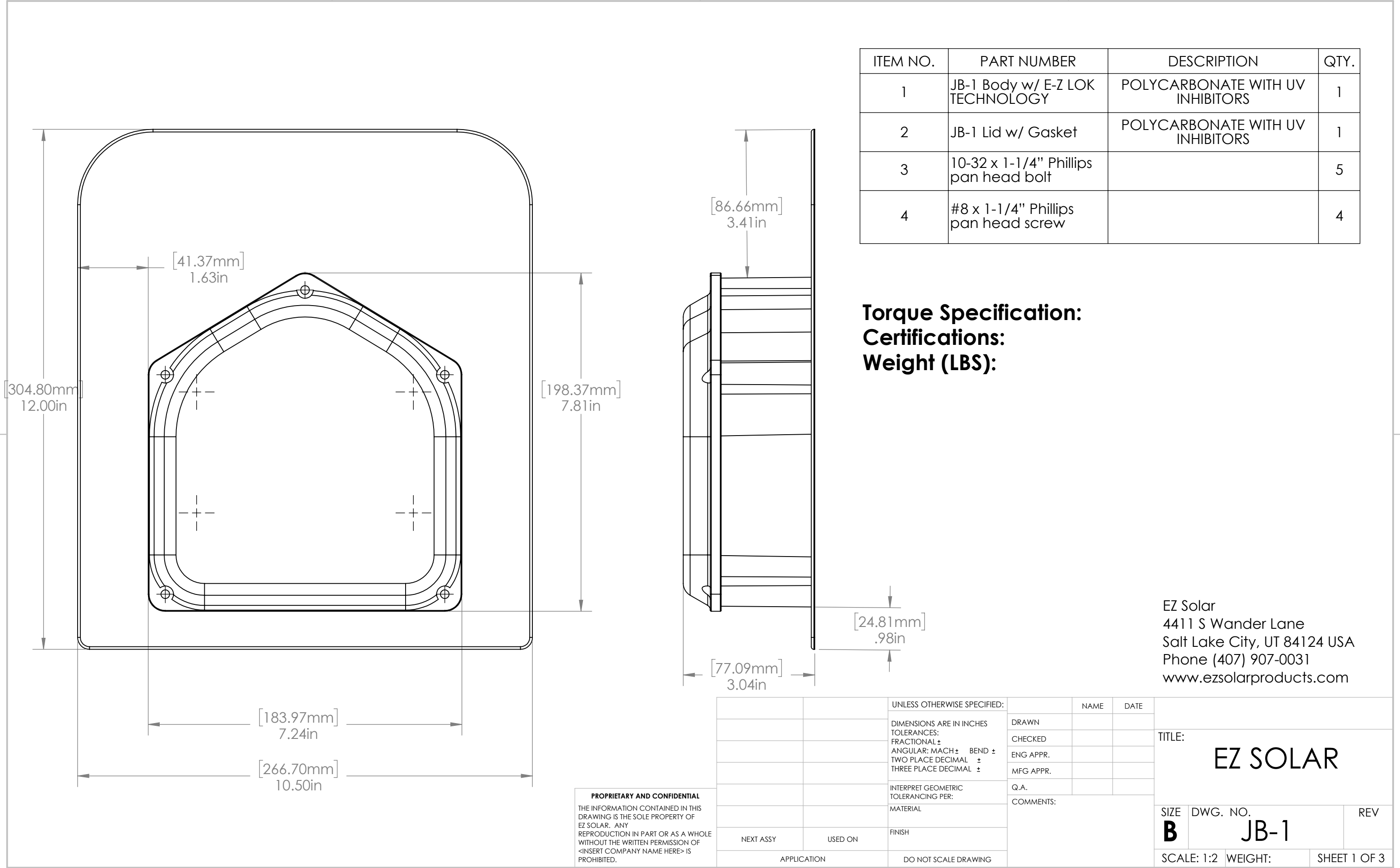
1

B

B

A

A



ITEM NO.	PART NUMBER	DESCRIPTION	QTY.
1	JB-1 Body w/ E-Z LOK TECHNOLOGY	POLYCARBONATE WITH UV INHIBITORS	1
2	JB-1 Lid w/ Gasket	POLYCARBONATE WITH UV INHIBITORS	1
3	10-32 x 1-1/4" Phillips pan head bolt		5
4	#8 x 1-1/4" Phillips pan head screw		4

Torque Specification:
Certifications:
Weight (LBS):

EZ Solar
 4411 S Wander Lane
 Salt Lake City, UT 84124 USA
 Phone (407) 907-0031
 www.ezsolarproducts.com

PROPRIETARY AND CONFIDENTIAL
 THE INFORMATION CONTAINED IN THIS DRAWING IS THE SOLE PROPERTY OF EZ SOLAR. ANY REPRODUCTION IN PART OR AS A WHOLE WITHOUT THE WRITTEN PERMISSION OF <INSERT COMPANY NAME HERE> IS PROHIBITED.

UNLESS OTHERWISE SPECIFIED:		NAME	DATE
DIMENSIONS ARE IN INCHES		DRAWN	
TOLERANCES:		CHECKED	
FRACTIONAL ±		ENG APPR.	
ANGULAR: MACH ± BEND ±		MFG APPR.	
TWO PLACE DECIMAL ±		Q.A.	
THREE PLACE DECIMAL ±		COMMENTS:	
INTERPRET GEOMETRIC TOLERANCING PER:			
MATERIAL			
FINISH			
NEXT ASSY	USED ON		
APPLICATION			
DO NOT SCALE DRAWING			

TITLE:		
EZ SOLAR		
SIZE	DWG. NO.	REV
B	JB-1	
SCALE: 1:2	WEIGHT:	SHEET 1 OF 3

4

3

2

1

4

3

2

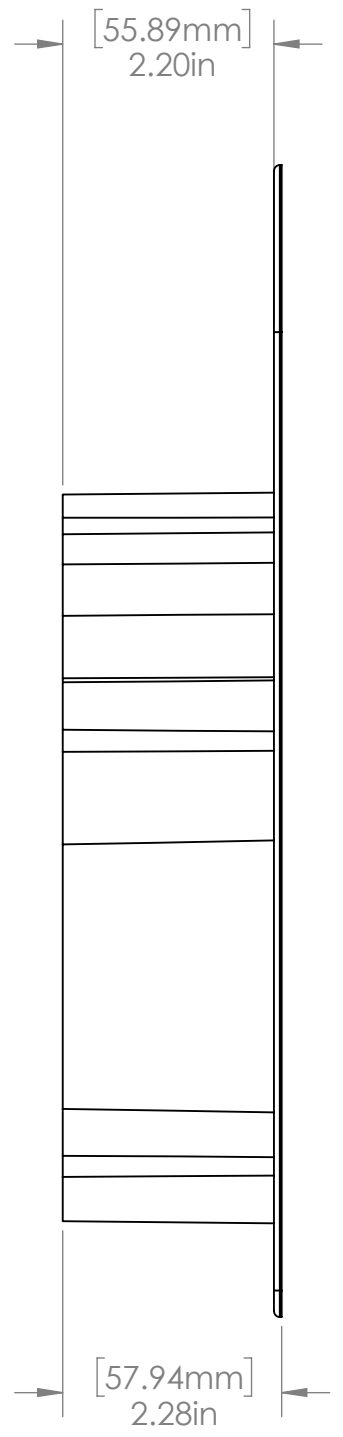
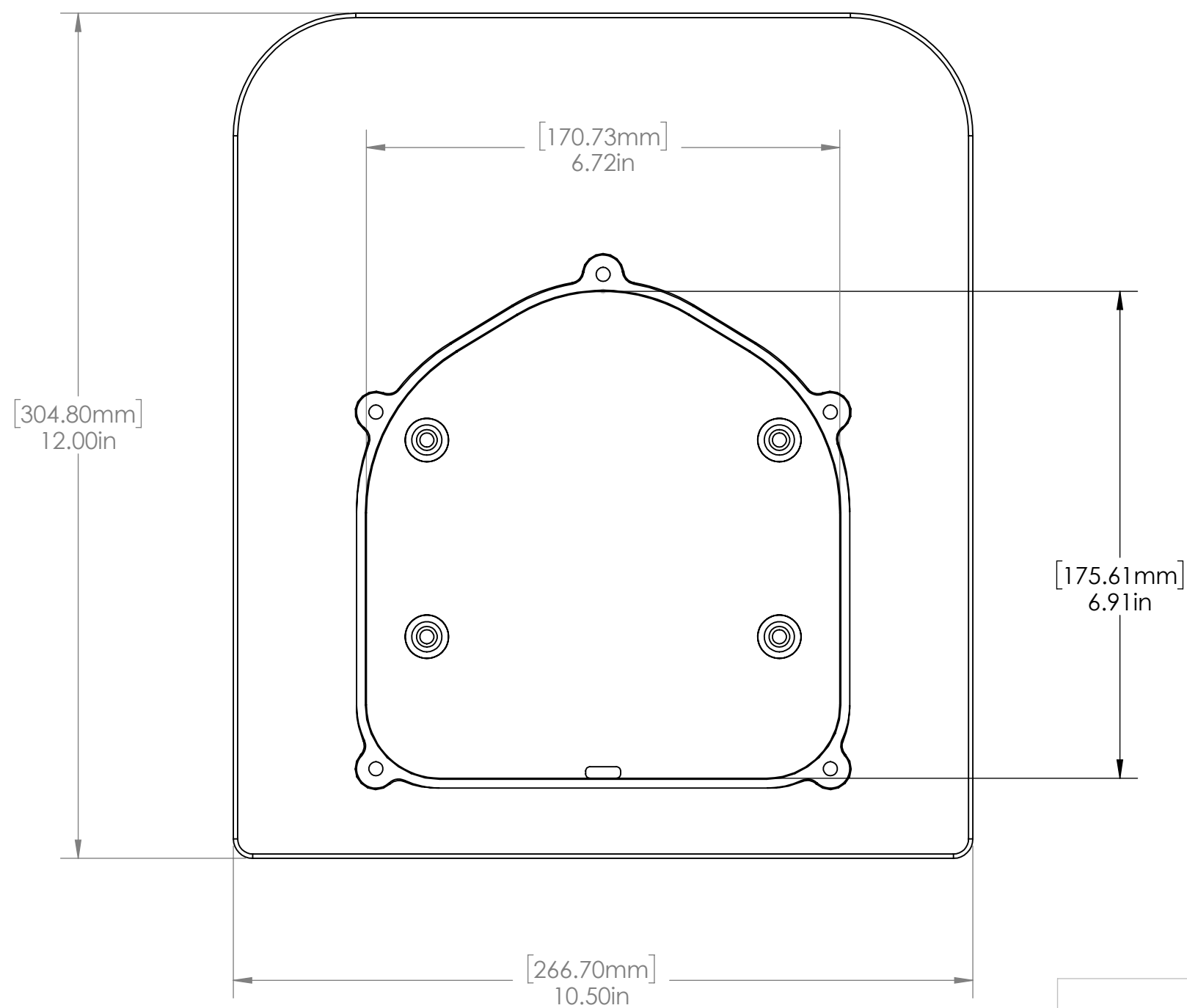
1

B

B

A

A



EZ Solar
 4411 S Wander Lane
 Salt Lake City, UT 84124 USA
 Phone (407) 907-0031
 www.ezsolarproducts.com

PROPRIETARY AND CONFIDENTIAL
 THE INFORMATION CONTAINED IN THIS DRAWING IS THE SOLE PROPERTY OF EZ SOLAR. ANY REPRODUCTION IN PART OR AS A WHOLE WITHOUT THE WRITTEN PERMISSION OF <INSERT COMPANY NAME HERE> IS PROHIBITED.

		UNLESS OTHERWISE SPECIFIED:		NAME	DATE
		DIMENSIONS ARE IN INCHES		DRAWN	
		TOLERANCES:		CHECKED	
		FRACTIONAL: \pm		ENG APPR.	
		ANGULAR: MACH \pm BEND \pm		MFG APPR.	
		TWO PLACE DECIMAL \pm		Q.A.	
		THREE PLACE DECIMAL \pm		COMMENTS:	
		INTERPRET GEOMETRIC TOLERANCING PER:			
		MATERIAL			
NEXT ASSY	USED ON	FINISH			
APPLICATION		DO NOT SCALE DRAWING			
TITLE: EZ SOLAR					
SIZE	DWG. NO.	REV			
B	JB-1				
SCALE: 1:2		WEIGHT:		SHEET 2 OF 3	

4

3

2

1

4

3

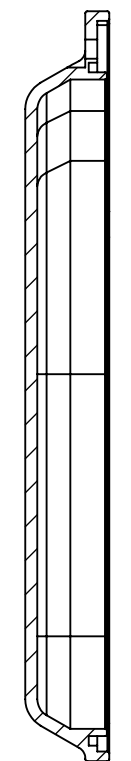
2

1

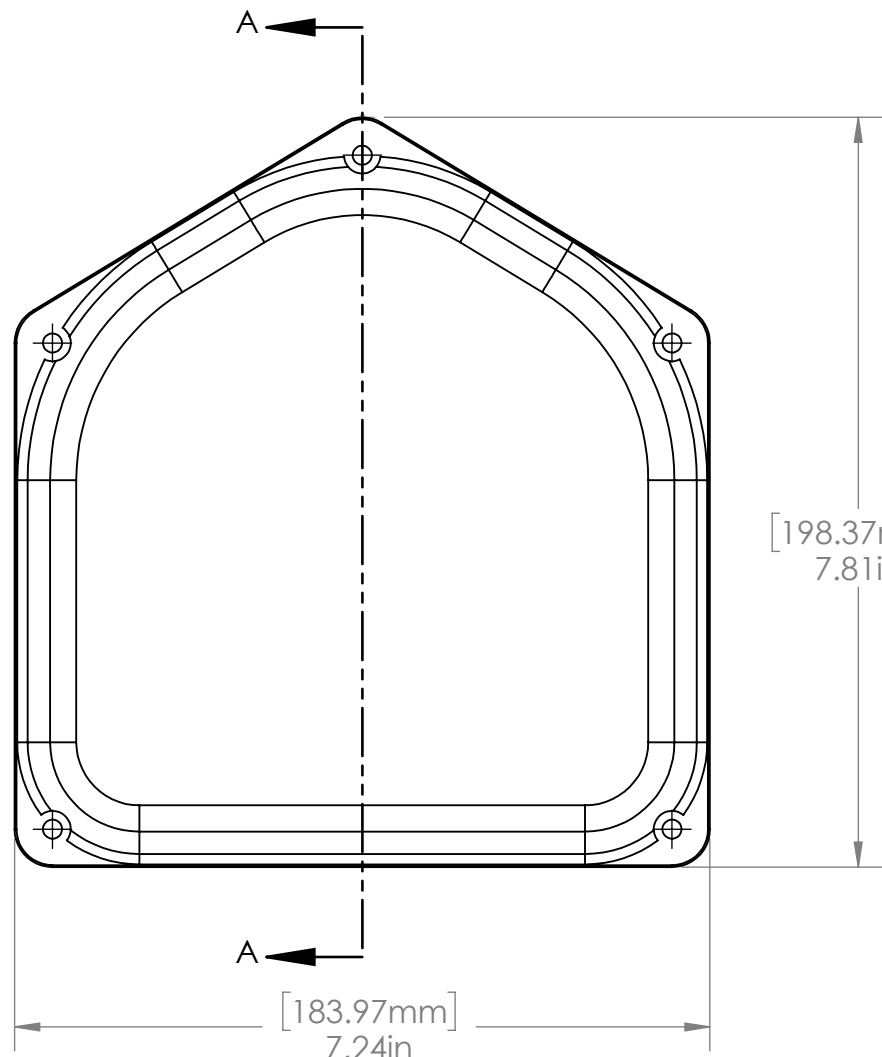
OUTSIDE

INSIDE

SECTION A-A
SCALE 1 : 2



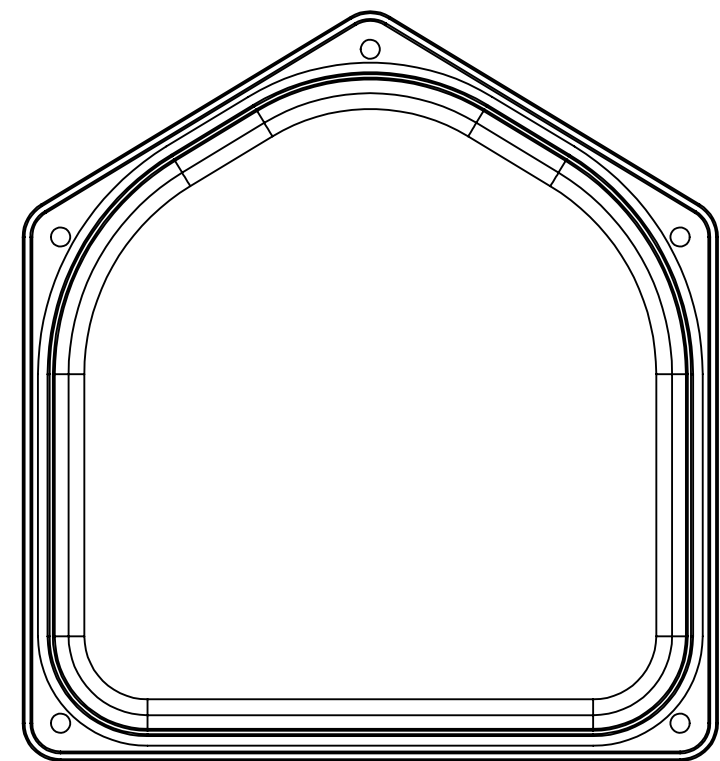
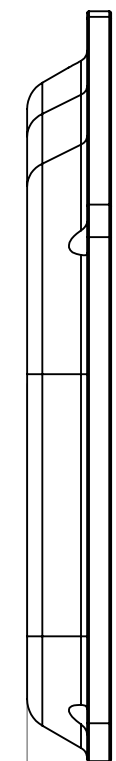
[3.18mm]
.13in
LID OVERHANG



[198.37mm]
7.81in

[183.97mm]
7.24in

[22.23mm]
.88in



EZ Solar
4411 S Wander Lane
Salt Lake City, UT 84124 USA
Phone (407) 907-0031
www.ezsolarproducts.com

PROPRIETARY AND CONFIDENTIAL
THE INFORMATION CONTAINED IN THIS DRAWING IS THE SOLE PROPERTY OF EZ SOLAR. ANY REPRODUCTION IN PART OR AS A WHOLE WITHOUT THE WRITTEN PERMISSION OF <INSERT COMPANY NAME HERE> IS PROHIBITED.

		UNLESS OTHERWISE SPECIFIED:		NAME	DATE
		DIMENSIONS ARE IN INCHES		DRAWN	
		TOLERANCES:		CHECKED	
		FRACTIONAL: ±		ENG APPR.	
		ANGULAR: MACH ± BEND ±		MFG APPR.	
		TWO PLACE DECIMAL ±		Q.A.	
		THREE PLACE DECIMAL ±		COMMENTS:	
		INTERPRET GEOMETRIC TOLERANCING PER:			
		MATERIAL			
		FINISH			
NEXT ASSY	USED ON				
APPLICATION		DO NOT SCALE DRAWING			
TITLE: EZ SOLAR					
SIZE	DWG. NO.	REV			
B	JB-1				
SCALE: 1:2		WEIGHT:		SHEET 3 OF 3	

4

3

2

1

B

B

A

A